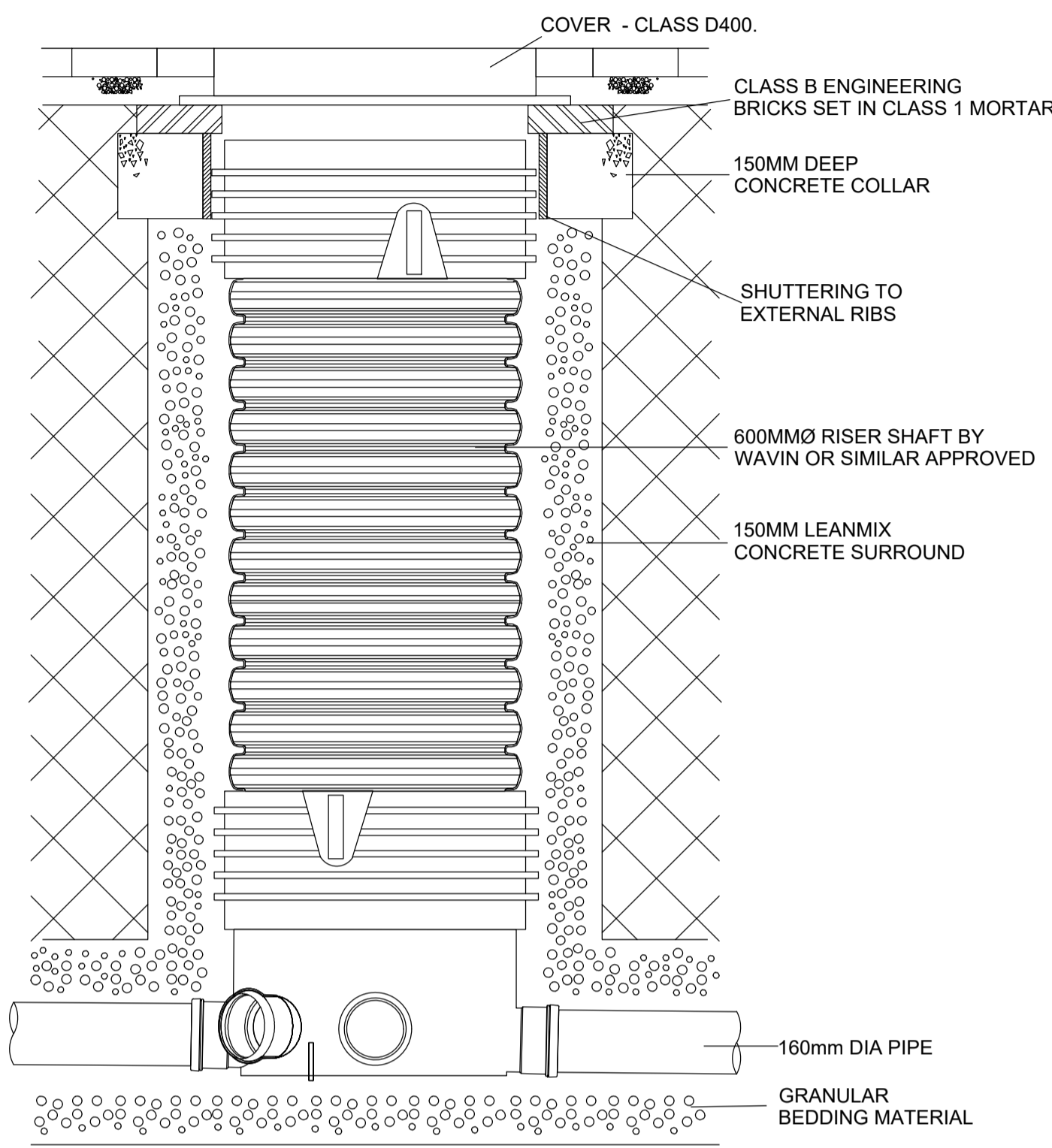
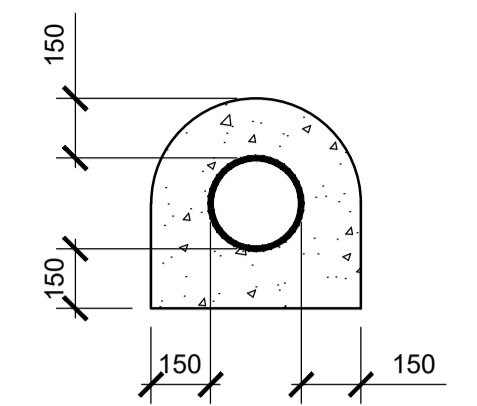


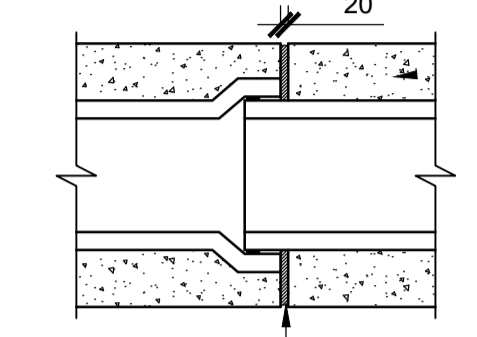
A1
1
2
3
4
5
6
7
8
9
10
11



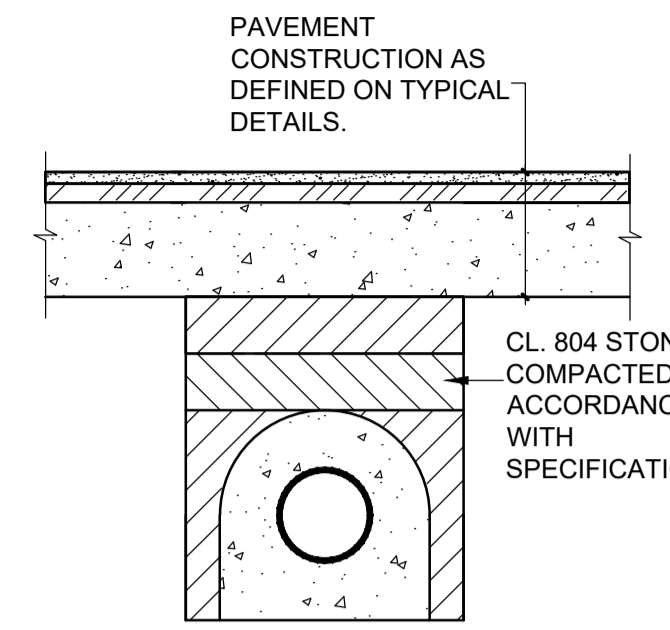
INSPECTION CHAMBER
Scale: 1:10



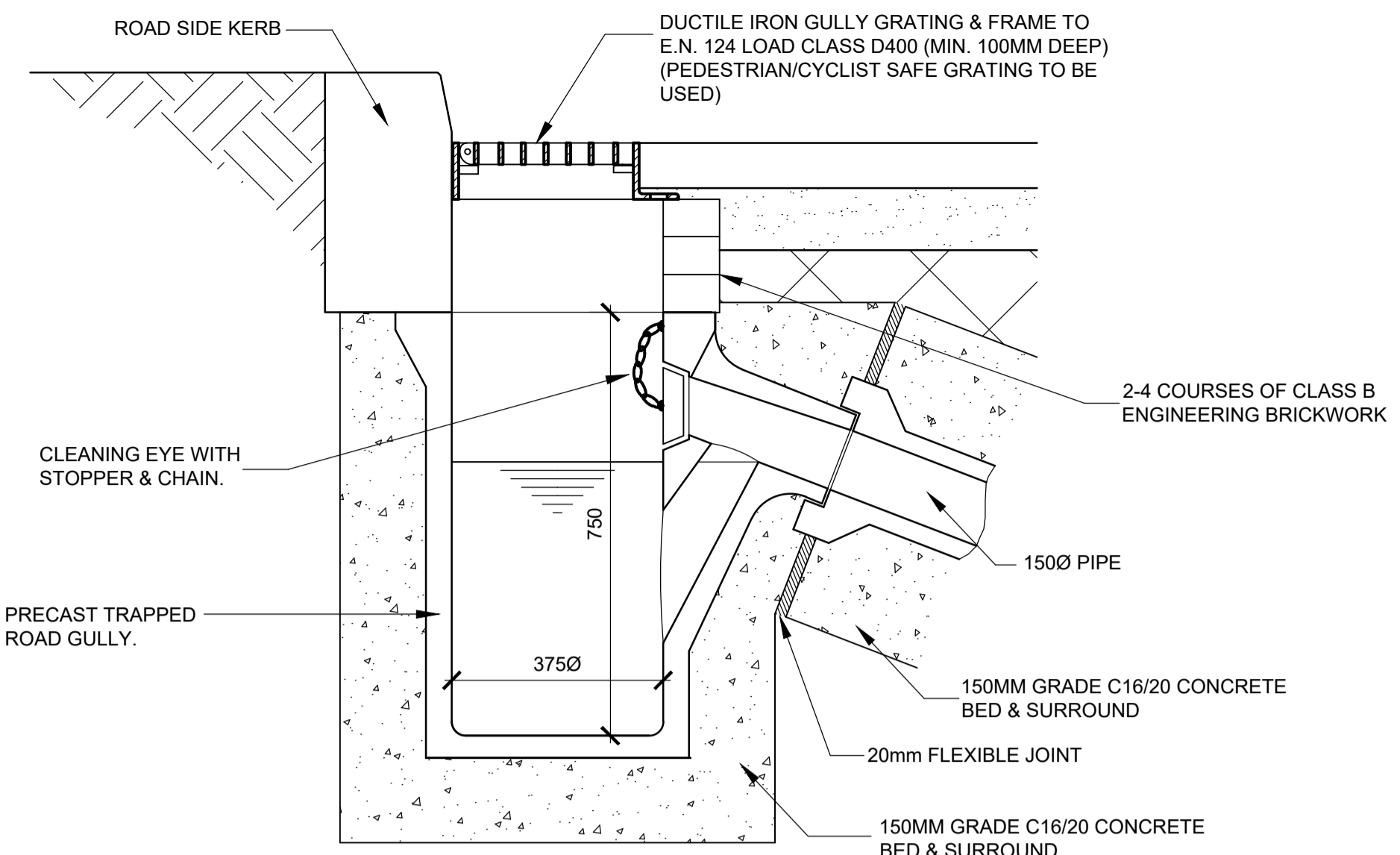
Concrete Bed & Surround



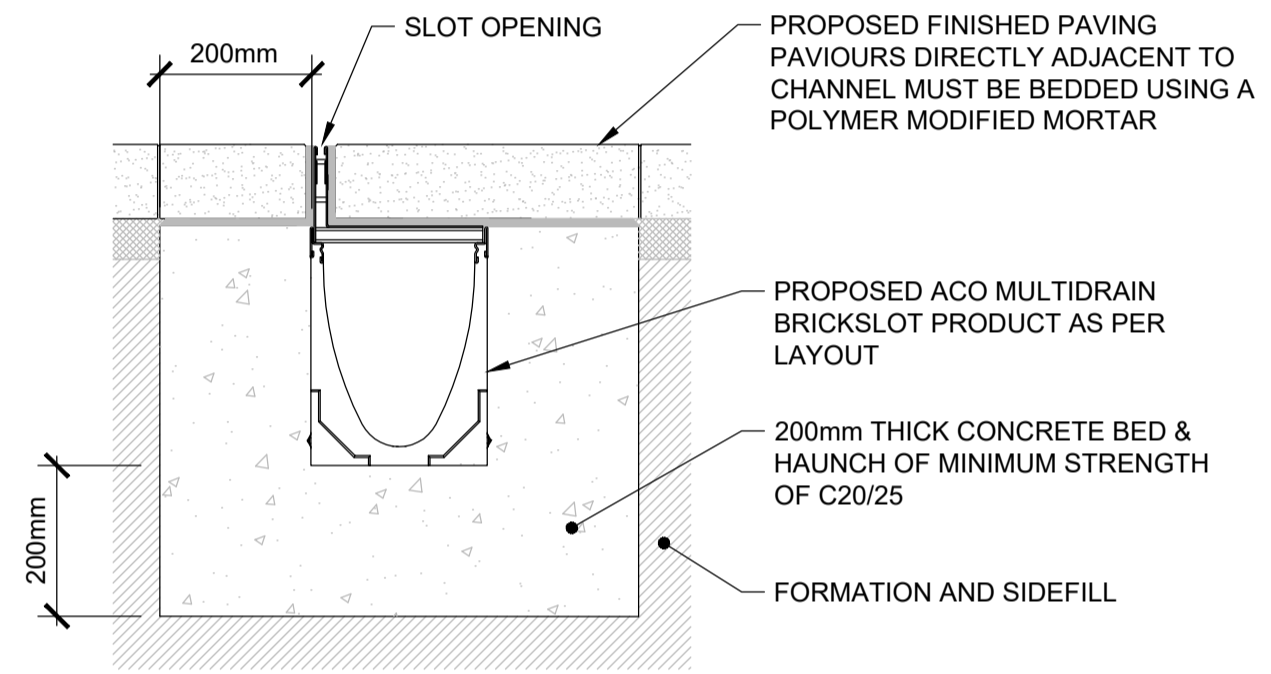
Joint in Concrete Surround to Flexible Jointed Spigot & Socket Pipes
Scale 1:20



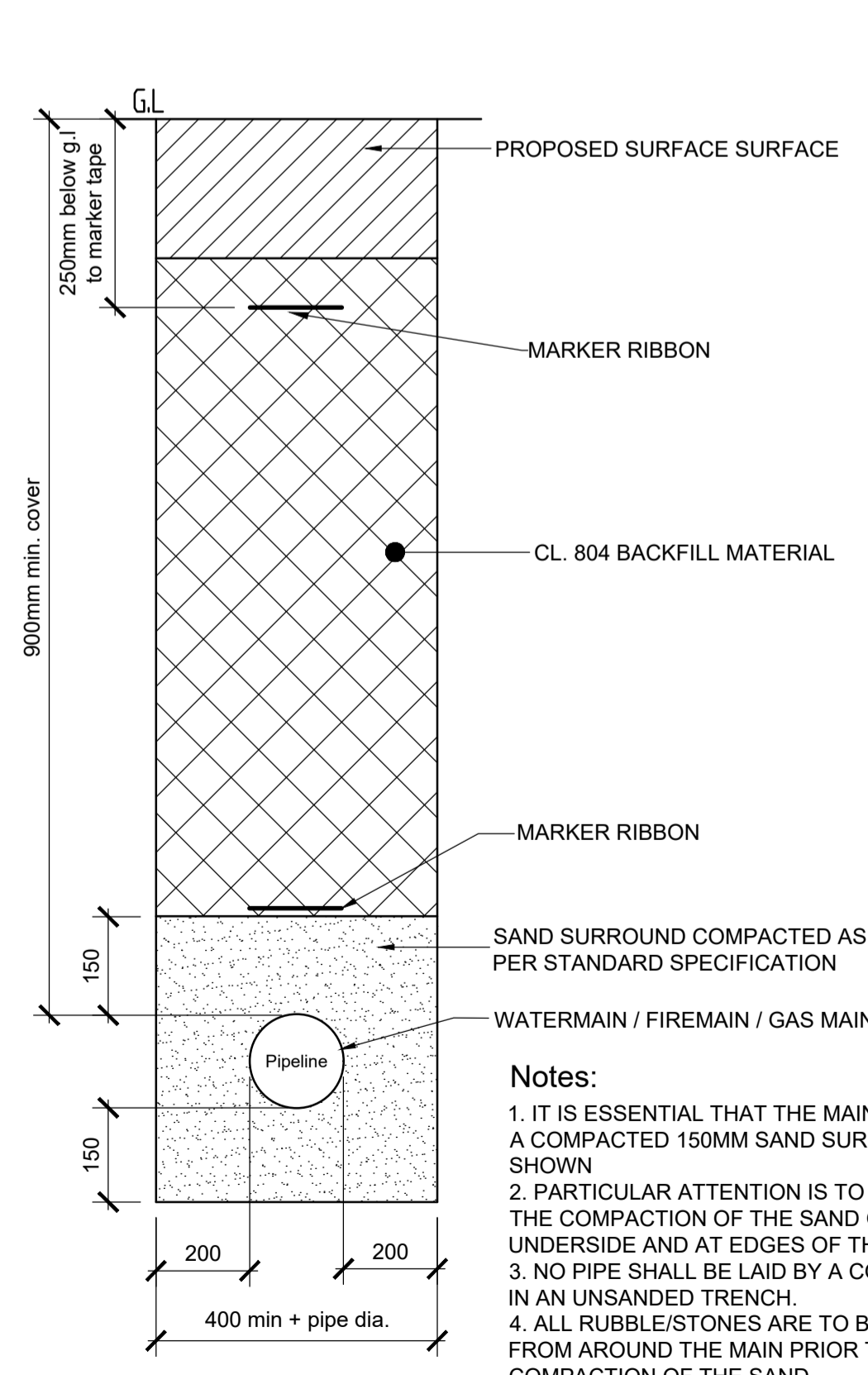
Concrete Bed & Surround
Construction Details for Surface Water Drain
Scale 1:20



Typical Gully Detail Adjacent to Kerbs
Scale 1:10



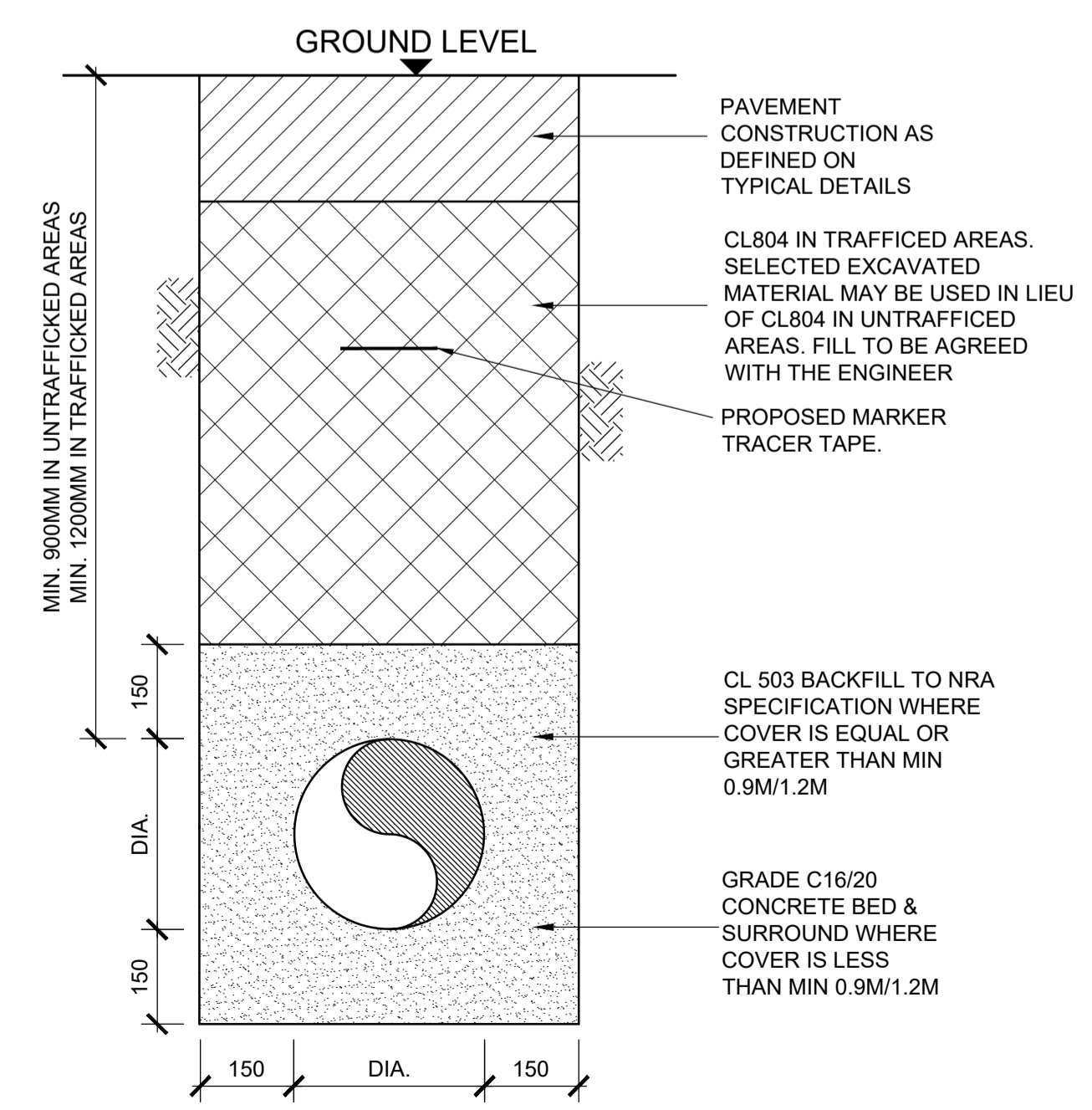
Slot Drain Detail
Scale: 1:10



Typical Bedding Detail for Watermain
Scale 1:10

The following Irish Water Standard Details are to be used:
 Sluice Valve/Chamber: STD-W-15
 On-line Air Valves: STD-W-20/STW-W-22
 Thrust Blocks/Supports: STD-W-28
 Marker Posts/Plates: STD-W-27
 Chambers to be constructed using 10N concrete blockwork in accordance with IS EN 771-3.

- Notes:**
1. IT IS ESSENTIAL THAT THE MAIN BE BEDDED IN A COMPACTED 150MM SAND SURROUND AS SHOWN
 2. PARTICULAR ATTENTION IS TO BE GIVEN TO THE COMPACTION OF THE SAND ON THE UNDERSIDE AND AT EDGES OF THE PIPE
 3. NO PIPE SHALL BE LAID BY A CONTRACT CREW IN AN UNSANDED TRENCH.
 4. ALL RUBBLE/STONES ARE TO BE REMOVED FROM AROUND THE MAIN PRIOR TO THE COMPACTION OF THE SAND.



Typical Drainage Trench Detail
Scale 1:10

- Notes:**
1. This Drawing shall be Read in Conjunction with all Other Relevant Specifications & Drawings.
 2. All Dimensions in Millimeters (mm) unless noted otherwise.
 3. All Foul Water Infrastructure to be Designed and Constructed in Accordance with the Irish Water Code of Practice and Standard Details.
 4. All Watermain Infrastructure to be Designed and Constructed in Accordance with the Irish Water Code of Practice and Standard Details.

P04	25/03/22	ROD	RM	JMaC
Issued for Information (Status S2)				
P03	11/03/22	ROD	RM	JMaC
Issued for Information (Status S2)				
P02	10/01/22	ROD	RM	JMaC
Issued for Information (Status S2)				
P01	22/12/21	ROD	RM	JMaC
Issued for Information (Status S2)				
Rev	Date	By	Chkd	Appd

ARUP
 One Albert Quay
 Cork, Ireland
 Tel +353 (0)21 422 3200
 www.arup.com

Client
Tiznow Property Company Limited
 (Comer Group Ireland)

Project Title
City Park Development at the Former Tedcastles Site

Drawing Title
Proposed Drainage & Water Details Sheet 2 of 2

Scale at A1	As Shown
Role	Civil Infrastructure
Suitability	S2 - Suitable for Information
Arup Job No	Rev
267365-00	P04
Name	
267365-ARUP-ZZ-ZZ-DR-C-6001	